

Spare Parts List

Ordering Spare Parts

When ordering spare parts for powder coating equipment, please indicate the following specifications :

1. Type and serial no of your powder coating equipment.
2. Order number, quantity, and description of *each* spare part.

Example :

1. Type : *ACR-1/xxx*, **Serial no :** *xxxx.xxxx*

2. Order no : *230 057*, *1 piece , 16 pole Socket housing*

When ordering cable or hose material the length required must also be given.
The spare part number of this yard/metre ware is always marked with an *.
The spare part number of yard/metre ware always begin with 1..

All wear parts are marked with a #.

Panelling

1 Rubber strip

106931

2 Panel screw

115620

3 Swivel wheel

127955

4 Fixed wheel

127956

5 Quick-release service panel

127957

6 Handrail

127958

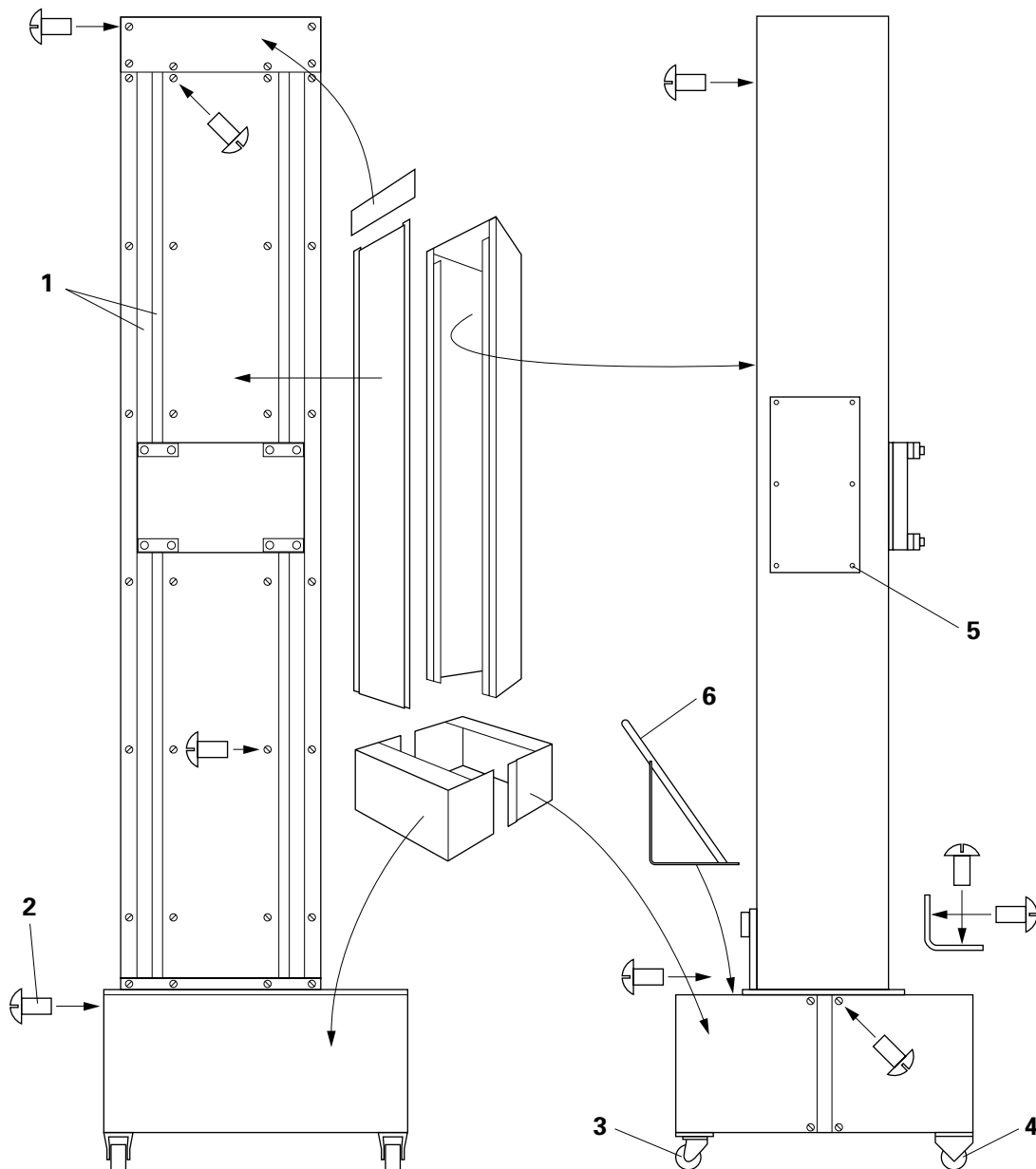


Figure 1

Wear part

Hose support

1	Support bracket	127959
2	T-Clamp block - $\varnothing 30 / \varnothing 30$ mm	127960
3	Tube - $\varnothing 30 \times 600$ mm	127961
4	Tube - $\varnothing 30 \times 1000$ mm	127962
5	Rubber strap (1 per Gun/Hose)	127963

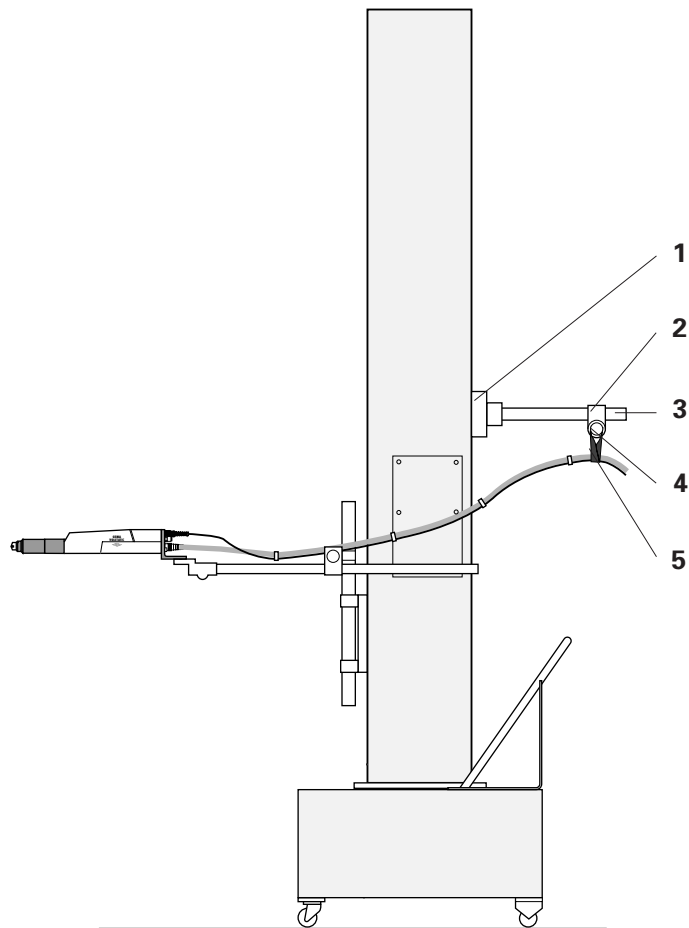


Figure 2

Drive unit

1	Lower sprocket - 1/2" T=21 (single)	106933#
1.1	Feather key (for item 1)	127964#
2	Lower sprocket 1/2" T=21 (duplex)	115031#
2.1	Feather key (for item 2)	127964#
3	Motor drive unit (Light blue - <i>without</i> incremental pulse generator)	122298
	Drive - complete (Light blue - <i>with</i> incremental pulse generator)	122297
3.1	Electric motor - AC (Light blue)	122293
3.2	Gear box (Light blue)	122294
3.3	Flange plate	122295
4	Incremental pulse generator	115617
5	Proximity switch	115616
6	Positioning pin	127965
7	Screw - M4 x 10 mm	127966

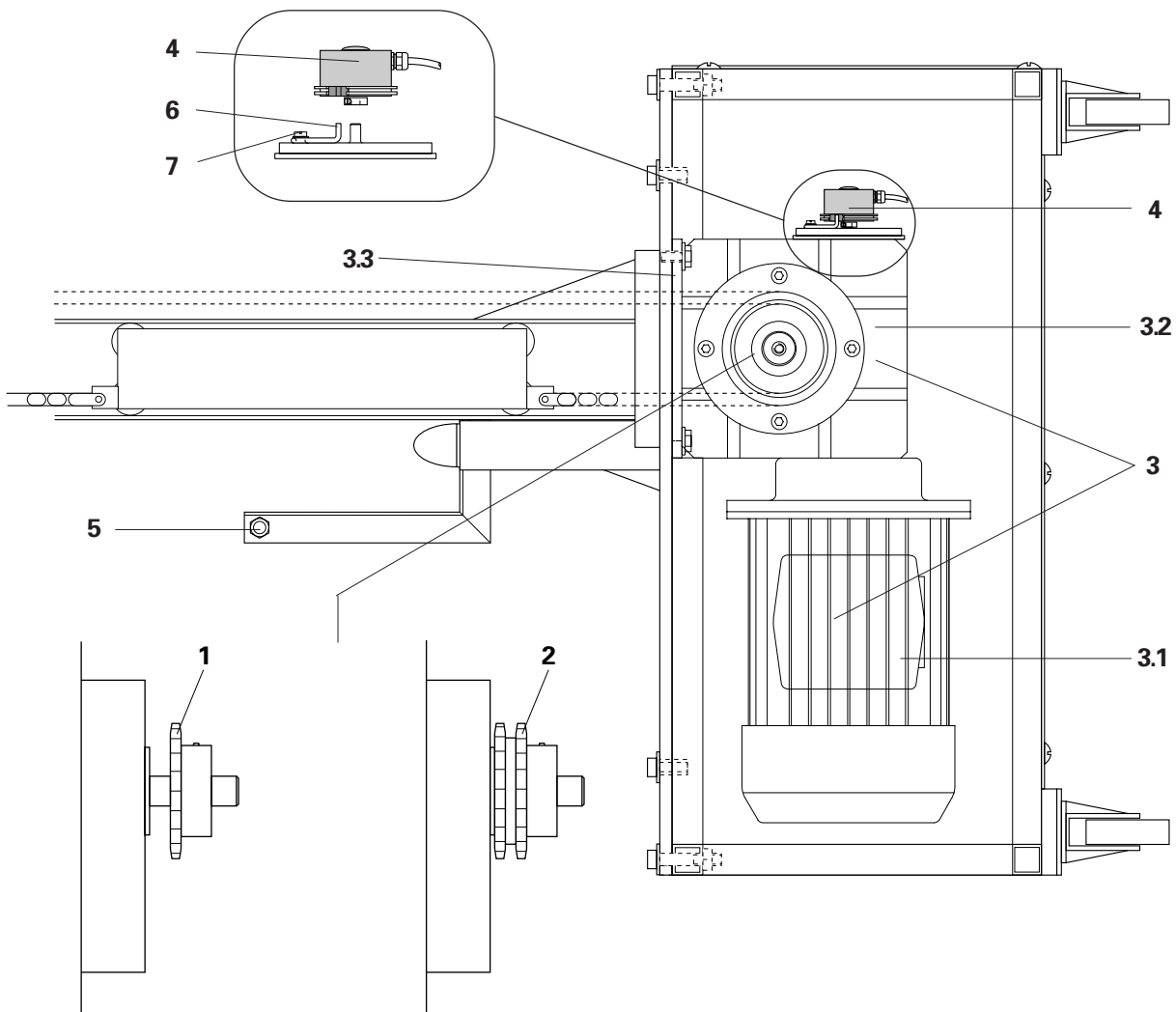


Figure 3

Wear part

Pedestal Bearing

1	Sprocket 1/2" T=21 (single)	106956#
2	Bearing	106957#
3	Tension block	115021#
4	Sprocket 1/2" T=21 (duplex)	115020#
5	Shaft	115022#
6	Collar	114736

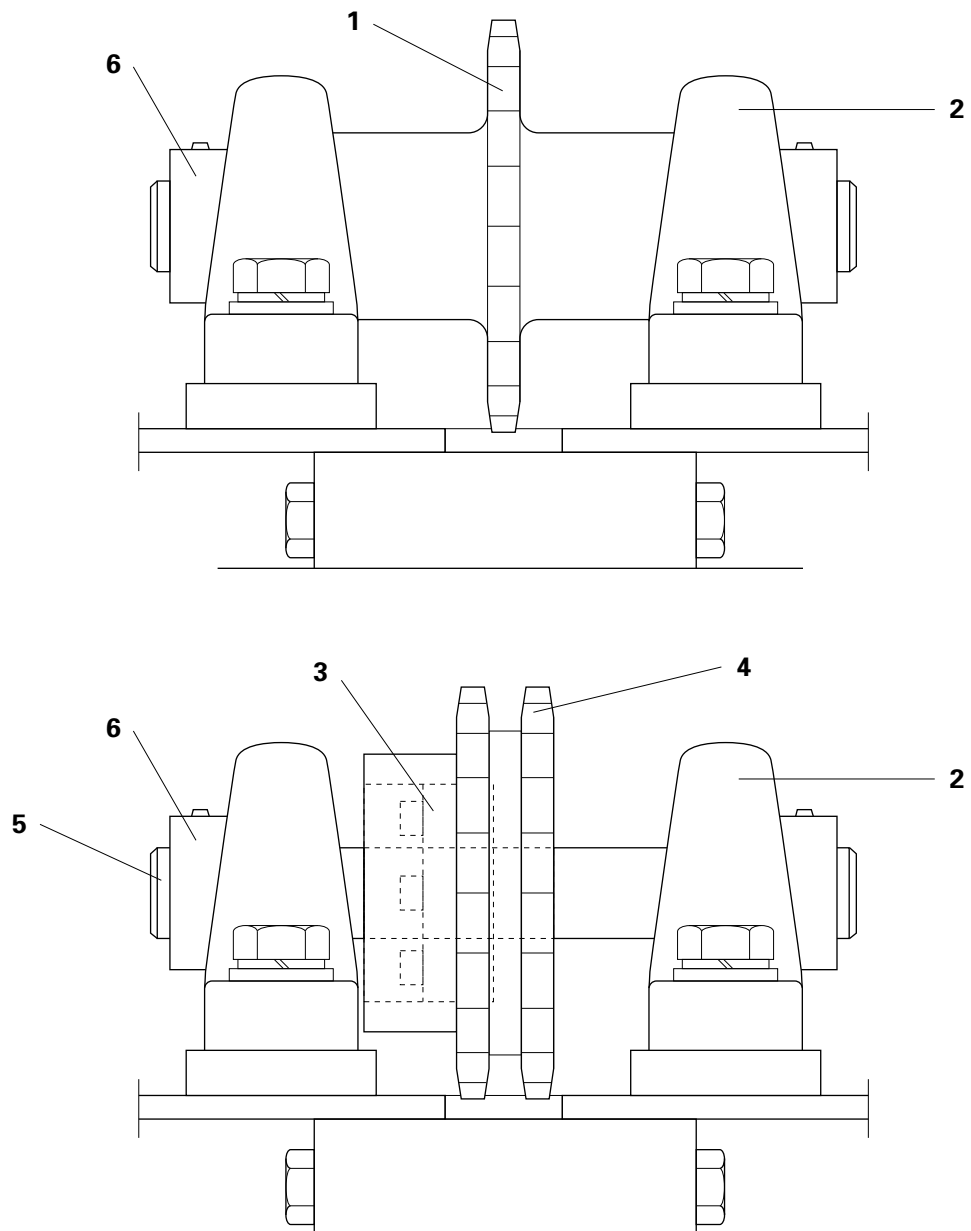


Figure 4

Wear parts

Z Carriage

1	Reciprocator column with base plate ACR-2/06/30			127967
2	Holder (double : 460 mm)			107153
3	Rubber buffer			106965
4	Z Carriage - complete (double : 460 mm)			125422
5	Roller - complete			106966
6	Seeger ring			128009
7	Tube			128010
8	Roller			128011
9	Ball race			106959
10	Sleeve			128012
11	Nut - M 10			128013
12	Bolt - M 10 x 110 mm			128014
13	Nut - M 10			114732
14	Washer			128015
15	Spacing sleeve			128016
16	Plastic tension pads ACR-2/06/30	2 x 3 Pads		106964#
17	Spacing ring			128017
18	Plate			128018
19	Nut - M 6			128019
20	Tension screw (duplex)			115030
21	Connecting link (duplex)			115028#
22	Connecting link (duplex)			115029#
23	Roller chain - <i>Type</i> ACR-2/06/30	<i>Length</i> 1.5 m (duplex)	<i>Pieces</i> 2	128020#
24	Studding - M6			128021

Wear Parts

Z Carriage

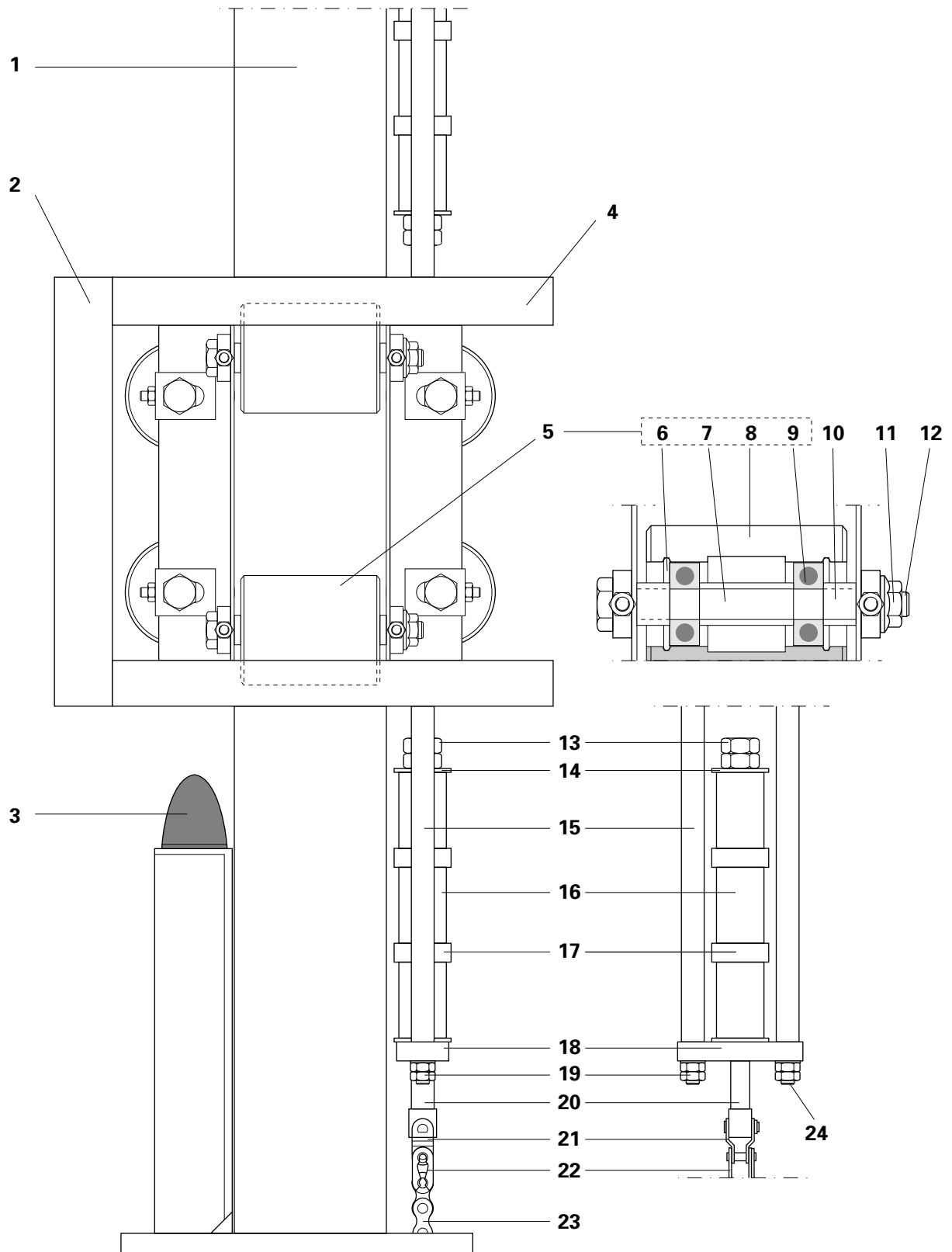


Figure 5

Counterweight

Counterweight compl. - 30 kg
(with rollers - without Item **7.1**)

115026

1	Counterweight - 30 kg (duplex - without Item 7.1)	128022
2	Roller	128023#
2.1	Roller - (with Items 2, 4 and 5) compl.	128024#
3	Spacer ring	128025
4	Ball bearing - \varnothing 6 mm / 19 x 6 mm	128026#
5	C-Ring	128027
6	Shoulder screw - \varnothing 6 mm / M5 x 12 mm	128028
7	Connecting link (duplex)	115028#
8	Connecting link (duplex)	115029#

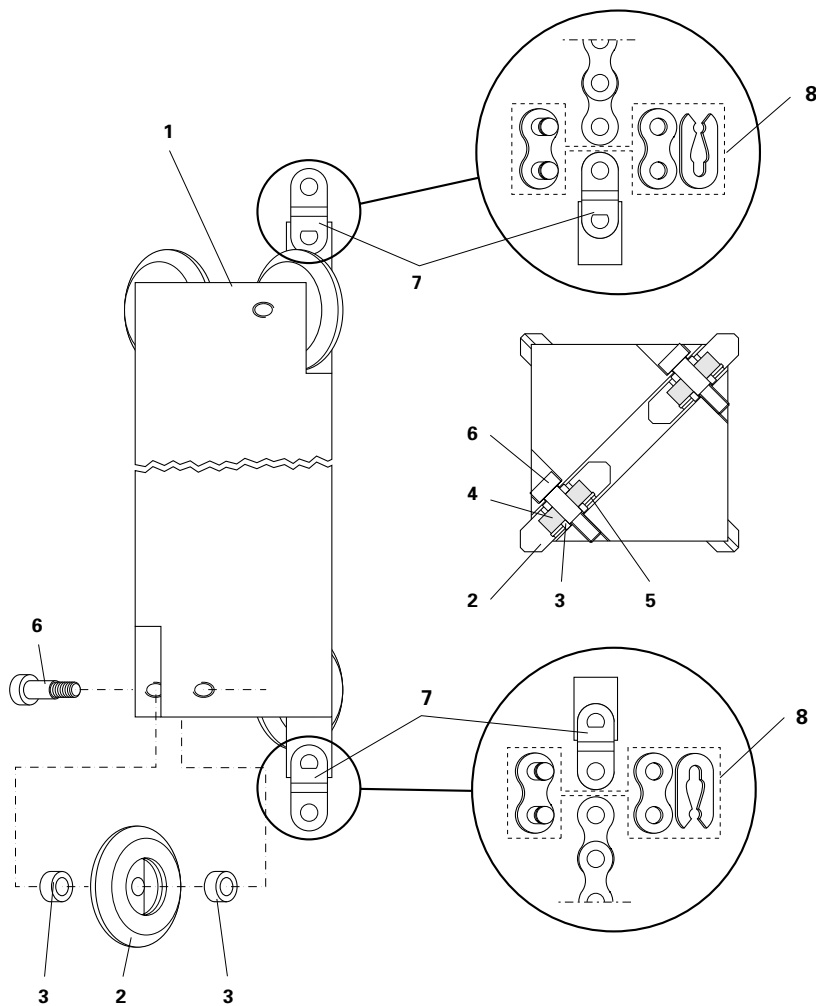


Figure 6

Wear parts

Reciprocator socket unit

1	Housing	128029
2	Socket housing - 16 pole	115623
3	Socket insert - 16 pole	115624
4	Lead-through - PG 16	113208
5	Lead-through - PG 16/2	128030
6	Lock nut - PG 16	113209
7	Connecting cable - complete: Frequency converter/Reciprocator	115627
8	Plug housing - 16 pole	115626
9	Socket plate - 16 pole	115625
10	Lead-through - PG 21/2	128031
11	Cable - 4 x 1 mm ² (Screened)	128032*
12	Cable - 5 x 0.34 mm ² (Screened)	128033*
13	Frequency converter (Power section)	120029

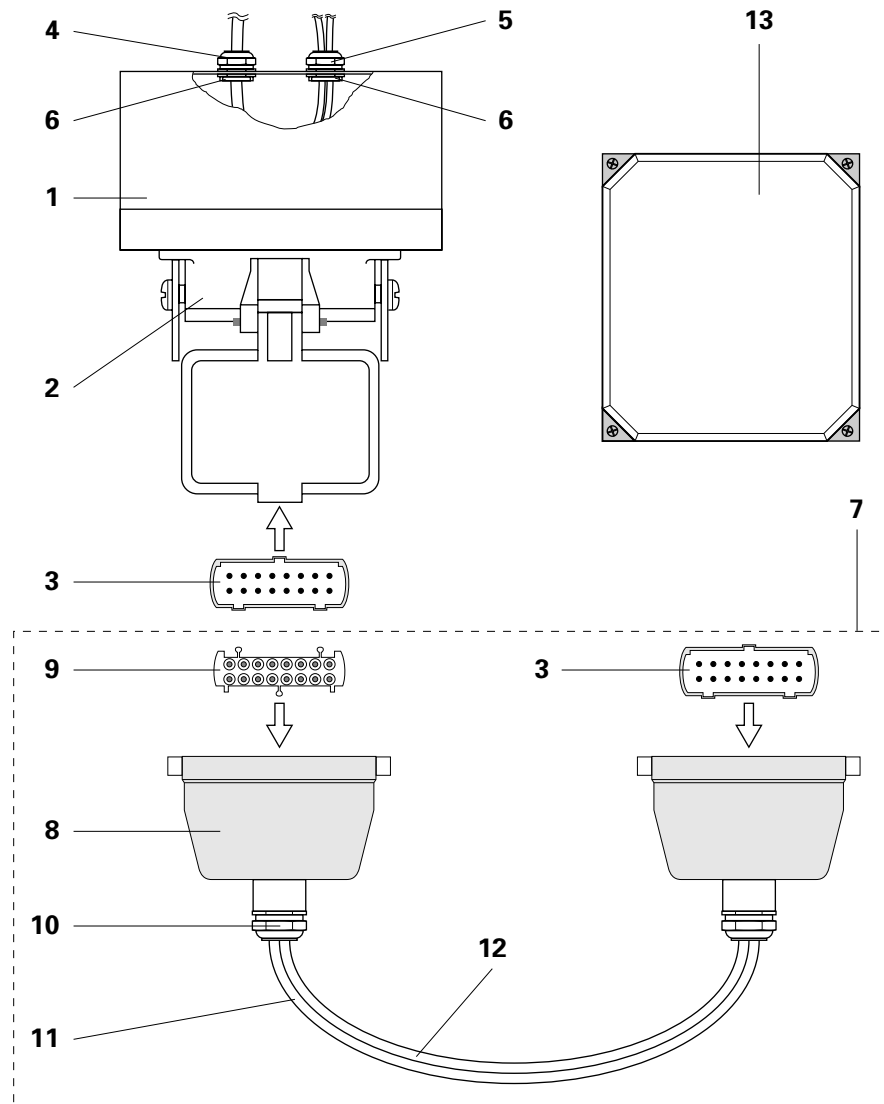


Figure 7

* Indicate length required

Documentation ACR Reciprocator

© Copyright 1992 GEMA VOLSTATIC AG, CH-9015 St. Gall

All technical products from GEMA VOLSTATIC AG are constantly being developed based on our continuing research and applications.

The data in this publication may therefore change at any time without prior notification.

Printed in Switzerland

Spare Parts List

Table of Contents

Spare Parts List	1
Ordering Spare Parts	1
Panelling	2
Hose support	3
Drive unit	4
Pedestal Bearing	5
Z Carriage	6
Counterweight	8
Reciprocator socket unit	9

Spare Parts List

ACR 2/06/30 Reciprocator

